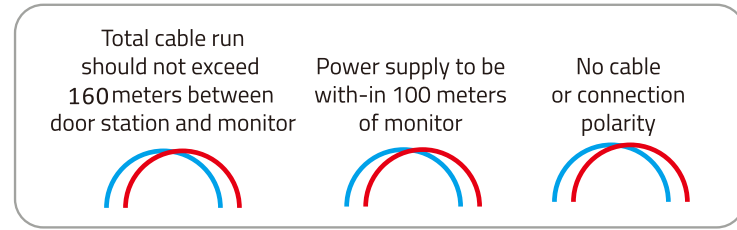
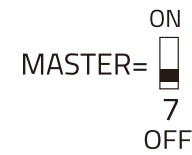


# WIRING DIAGRAM

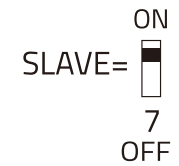
One central power supply can support all the devices



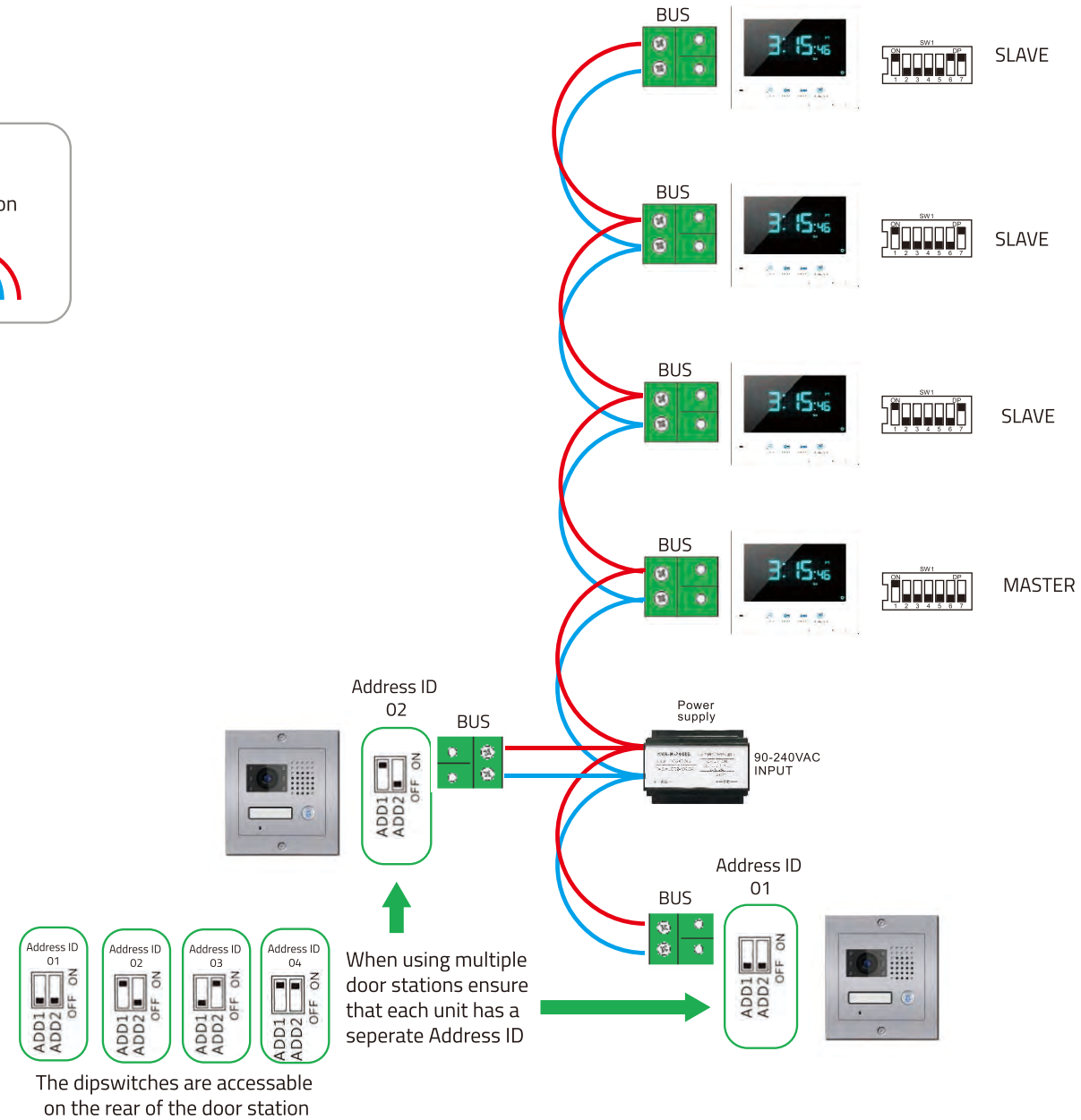
1 Only one monitor is set as the MASTER:



2 All other monitors set as SLAVE:

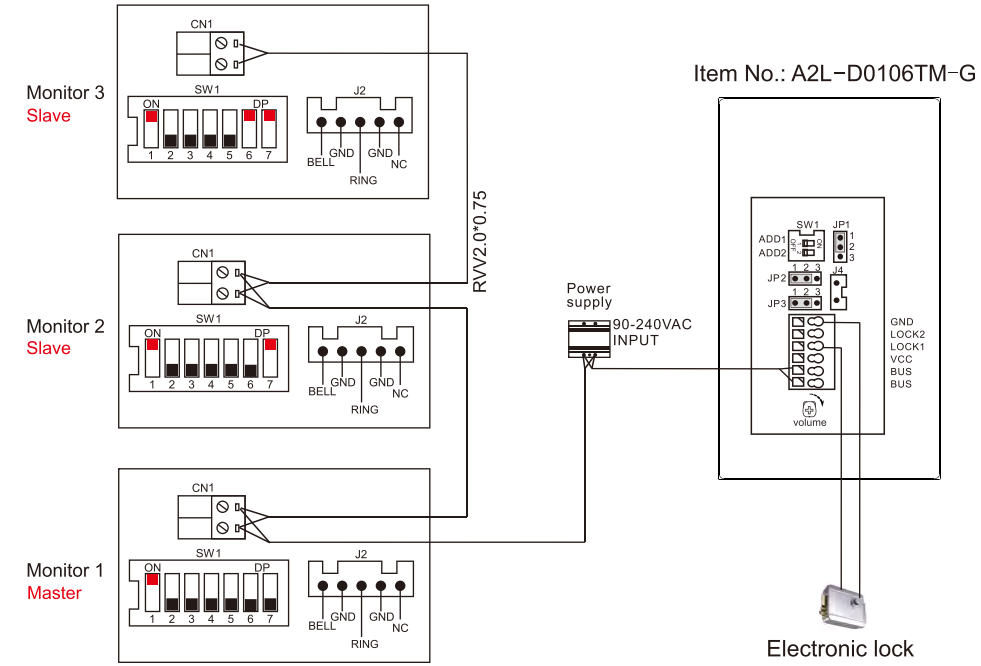


3 Refer to instructions supplied when using different version of monitor for MASTER/ SLAVE configuration



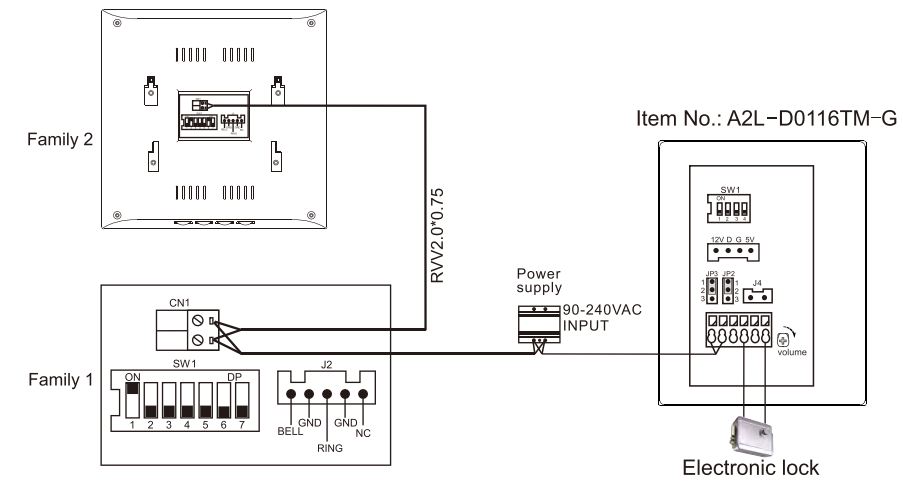
## Same family:

Item No.:A2L-R0706TJ-W



## Two families:

Item No.:A2L-R0706TJ-W



## Eight families:

