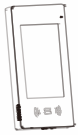
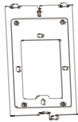



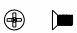





DH-G510S Series Quick Guide

1 | Preparation

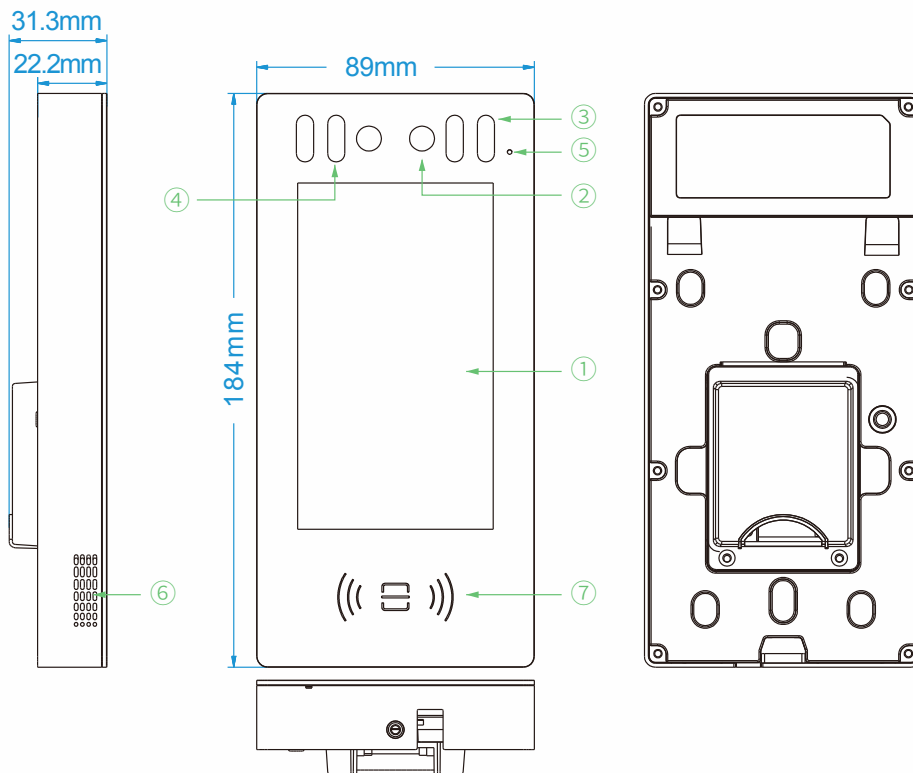
PREPARATION

Please make sure the package contains the following items.

<p>DH-G510S</p>  <p>×1</p>	<p>Wall bracket</p>  <p>×1</p>	<p>Back cover</p>  <p>×1</p>	<p>Hexagonal wrench</p>  <p>×1</p>	
<p>Screw(M3×6.7)</p>  <p>×1</p>	<p>Screw(M2.5×5)</p>  <p>×2</p>	<p>Screw(M4×30)</p>  <p>×2</p>	<p>Screw(ST4×20)</p>  <p>×4</p>	<p>Drywall anchor</p>  <p>×4</p>

2 | Product Overview

PRODUCT OVERVIEW



- | | | | |
|-------|-----------|-------------------|----------------|
| ① LCD | ② Camera | ③ White light LED | ④ Infrared LED |
| ⑤ MIC | ⑥ Speaker | ⑦ RF card reader | |

DH-G510S Series Quick Guide

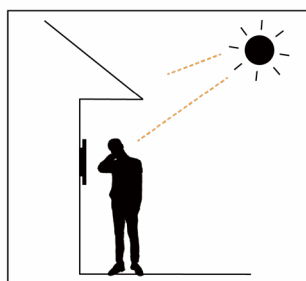
3 | Installation Environment

INSTALLATION ENVIRONMENT

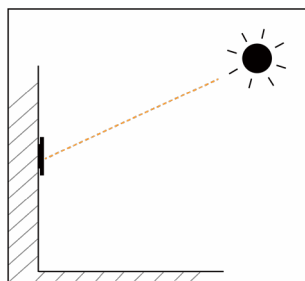
The device can be installed in both indoor and outdoor environment.

Outdoor installation: Avoid to exposing the device to direct sunlight, which will cause damage to device and components due to high temperature.

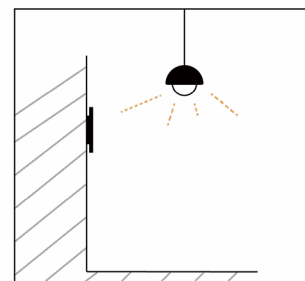
Indoor installation: The device should be installed on somewhere 2 meters (6 feet) away from light or 3 meters (9 feet) away from window/door.



✗ Backlight



✗ Direct sunlight



✗ Close to light

4 | Installation

INSTALLATION

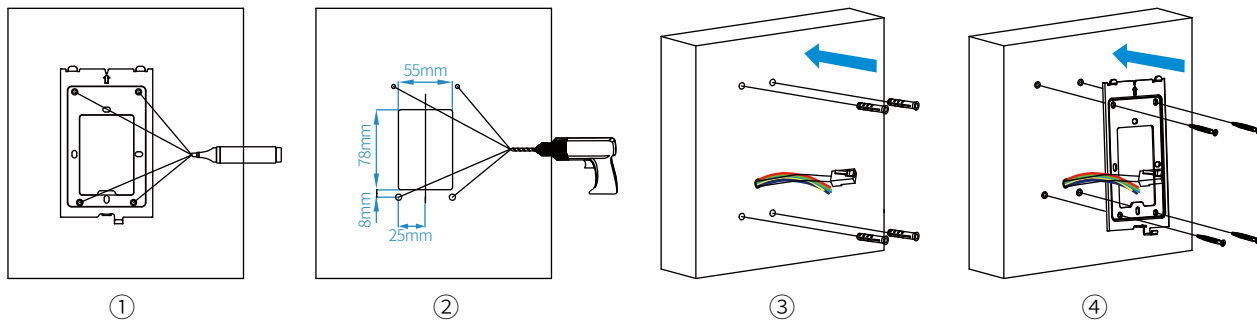
STEP 1

A. Without Type 118 Junction Box

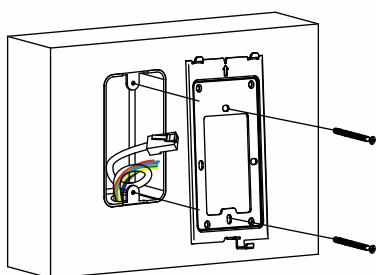
- ① Place the bracket against the wall and around the cable outlet area, then mark the position of drilling hole according to each hole of the bracket.
- ② Take the wall bracket off, make sure the marked drilling holes are in the right position around the cable outlet area (shown as diagram). Then drill holes with 6MM churn drill on each marked position.
- ③ Drive 4 drywall anchors into drilling positions.
- ④ Pull all cables and cords through the bracket, then lock the wall bracket by four ST4×20 screws.

★ NOTE: For installation on wooden walls, you can skip ② and ③.

DH-G510S Series Quick Guide

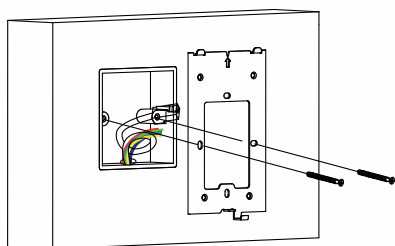


B. With Type 118 Junction Box (recommended)



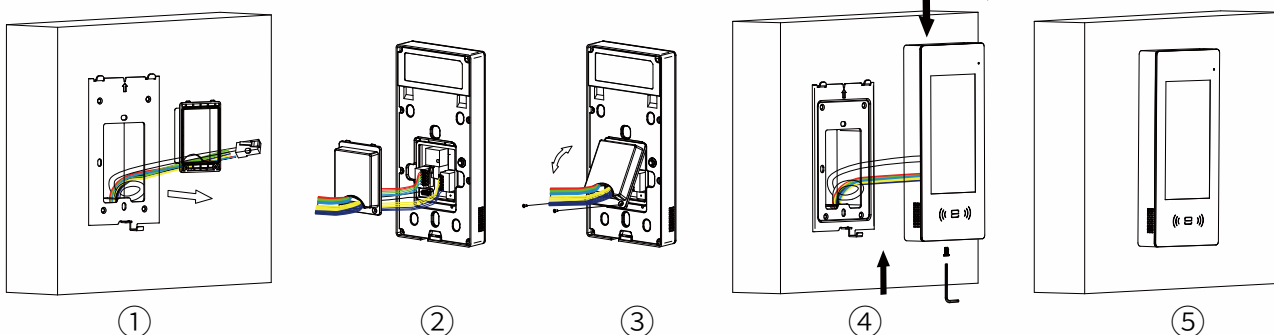
Pull all the cables through the junction box and wall bracket, then lock the wall bracket onto the junction box by two M4x30 screws.

C. With Type 86 Junction Box



Pull all the cables through the junction box and wall bracket, then lock the wall bracket onto the junction box by two M4x30 screws.

STEP2



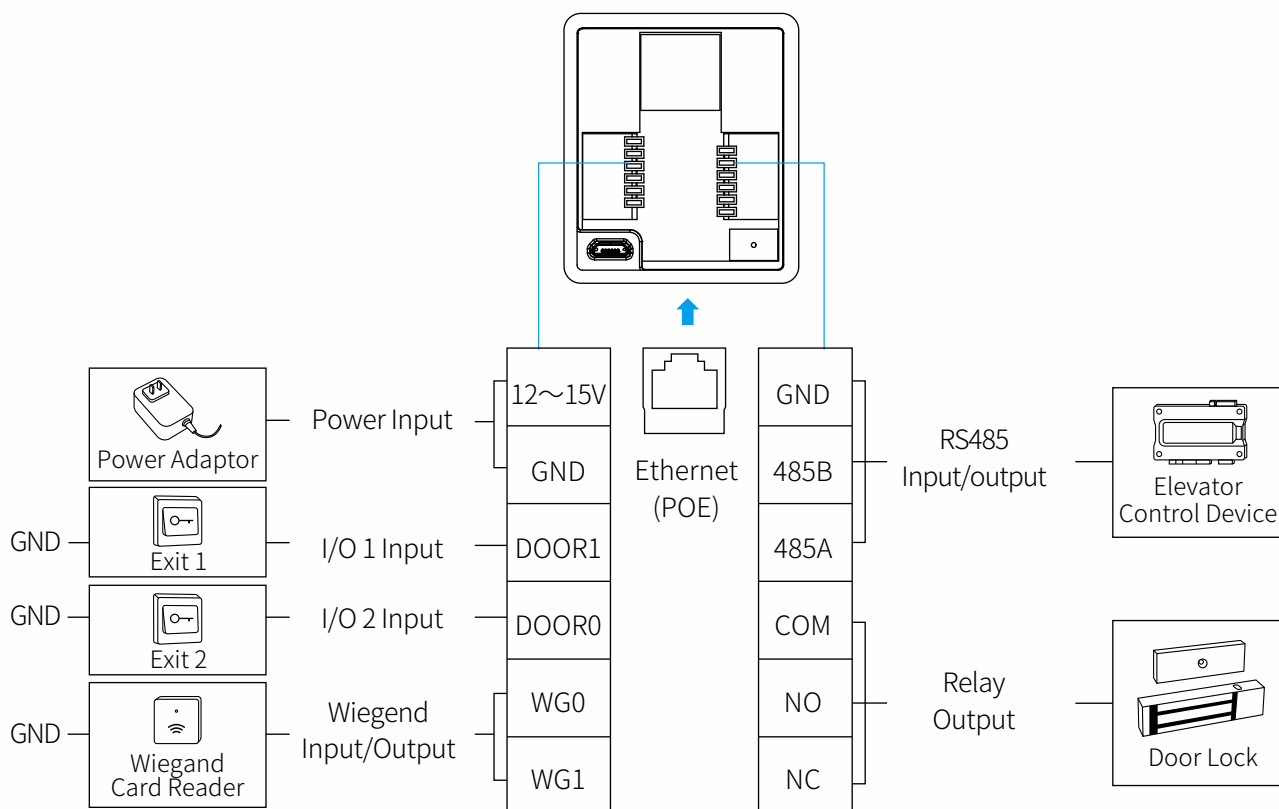
- ① Pull all cables through the waterproof cover.
- ② Connect the cables to the corresponding interfaces of the device
- ③ Lock the waterproof cover onto device with four R3×6 screws.
- ④ Attach the device onto the bracket on the wall, press down to lock by hooks, then use hexagonal wrench to lock the device from bottom with two M3×6.7 screws.
- ⑤ Installation is completed.

DH-G510S Series Quick Guide



5 Interfaces

INTERFACES



6 Configurations

CONFIGURATIONS

● Initial Setup

The system language and the network can be selected and configured when the initial booting of device.

● Check IP Address

The initial IP is 192.168.1.101, you can also enter 9999 in CALL menu then 3888 to get into the PROJECT SETTING, and tap NETWORK to check the IP address.

● Set SIP Account

Log into Web configuration portal of device, set up SIP accounts in INTERCOM-ACCOUNT page.

● Set DTMF Code

Select DTMF mode and configure the code in SYSTEM-RELAY page of Web configuration portal.

★ NOTE: You can refer to device user manual for more details.

7 | Functions

FUNCTIONS

● Make Calls

You can make calls from the device by select contacts or dial call number.

● Auto Answer

Incoming calls will be answered automatically by default.

● Face Unlock

Walk in front of camera,the device can recognize the face and unlock the door if the facial image is matched.

● PIN Unlock

Enter the access PIN set in device to unlock the door.

● Card/Key fob Unlock

Attach the saved access card or key fob on the card reader area of device to unlock the door.

● DTMF Unlock

Press the configured DTMF code on keypad of device answering the call, the lock connected on DH-G510S will be unlocked remotely.



Notice Information

Information contained in this document is believed to be accurate and reliable at the time of printing. This document is subject to change without notice, The update vision of this document can be viewed on NEXhome website: <http://www.nexhome.ai>

©Copyright 2022 NEXhome Ltd.All right reserved.

Fujian Nexhome Intelligent Technology Co.,Ltd.

Add.: No.33 Xingang Avenue, Shangjie, Minhou, Fuzhou, Fujian, 350108, China

Web: www.nexhome.ai